

Widespread Lavatory Faucet Model C1

Features

- Mounts from 6" to 16" between handle centers
- Solid brass construction
- Matching pop-up drain included
- 1/4 Turn ceramic disc valve cartridges
- 1/2 Male NPS supply connections
- PVD anti-tarnish finishes available (noted by #)
- Lifetime limited warranty



Codes/Standards

Specified model meets or exceeds:

- ASME/ANSI A112.18.1M
- CSA B125
- ADA compliance to ANSI A117.1
- Energy Policy Act of 1992
- IAPMO/UPC listed
- NSF 61

Metal Lever Handle



Swarovski Crystal Lever Handle



Specified Models:

Model No.

Product Description

 C1-ML	Widespread Lavatory Faucet with Metal Lever Handles
 C1-MB-CL	Widespread Lavatory Faucet with Swarovski Crystal Handles

Finish Codes:

* Celina Series Finish Codes

(Add to base model number, Example: C1-ML-AN)

Polished Chrome **PC** Satin Nickel **SN**
Millennium Brass **MB**

= PVD Finish

Giagni reserves the right to make specification and pricing changes without notice or obligation, and to change or discontinue models and finishes.
All rights reserved. © Giagni 2008

Celina

Widespread Lavatory Faucet Model C1

Technical Information

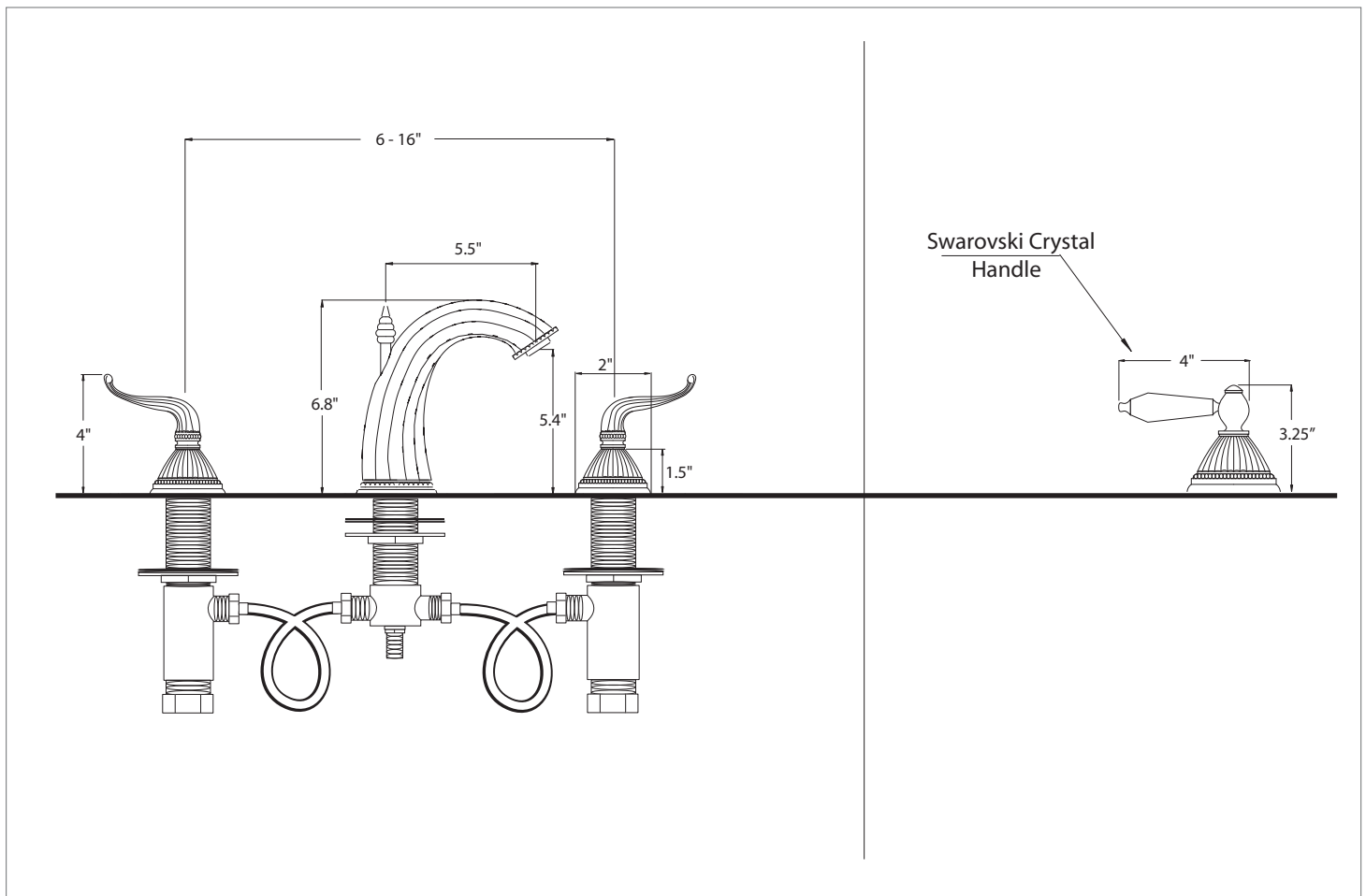
- Stainless steel braided hot and cold hoses
- Replacement parts available
- Toll-free helpline: 888-560-5222
- Water-saving aerator: 2.2 gallons (8.3L) per minute max @ 60
- Spout does not swing

Installation Notes

- Mounts in three holes, 1-3/8" to 1-3/4" diameter
- Flex hoses allow handles to be placed 6-16" apart
- Maximum deck thickness 1-1/2"

Warranty

Limited lifetime function and finish warranty to the original consumer purchaser covering defects in material and workmanship. 5 Year limited warranty for all industrial and commercial applications. See complete warranty statement for details



Giagni reserves the right to make specification and pricing changes without notice or obligation, and to change or discontinue models and finishes. All rights reserved. © Giagni 2008