

Widespread Lavatory Faucet Model DL101

Features

- Adjustable Centers: 6" - 16"
- Solid brass construction
- 1/4 Turn ceramic disc valve cartridges
- 1/2 Male NPS supply connections
- Lifetime limited warranty
- Matching pop-up drain included




Codes/Standards

Specified model meets or exceeds:

- ASME/ANSI A112.18.1M
- CSA B125
- ADA compliance to ANSI A117.1
- NSF 61
- Energy Policy Act of 1992
- IAPMO/UPC listed
- AB1953 Low Lead Compliant
- WaterSense

Specified Models:

| Model No. | Product Description |
|-------------------------------------------------------------------------------------------|----------------------------------------------------------------------|
|  DL101 | Widespread Lavatory Faucet with Pop-Up Drain and Metal Lever Handles |

Finish Codes:

*** Dolo Series Finish Codes**

(Add to base model number, Example: DL101-PC)

Polished Chrome PC Brushed Nickel BN

Giagni reserves the right to make specification and pricing changes without notice or obligation, and to change or discontinue models and finishes.
All rights reserved. © Giagni 2010

Dolo

Widespread Lavatory Faucet Model DL101

Technical Information

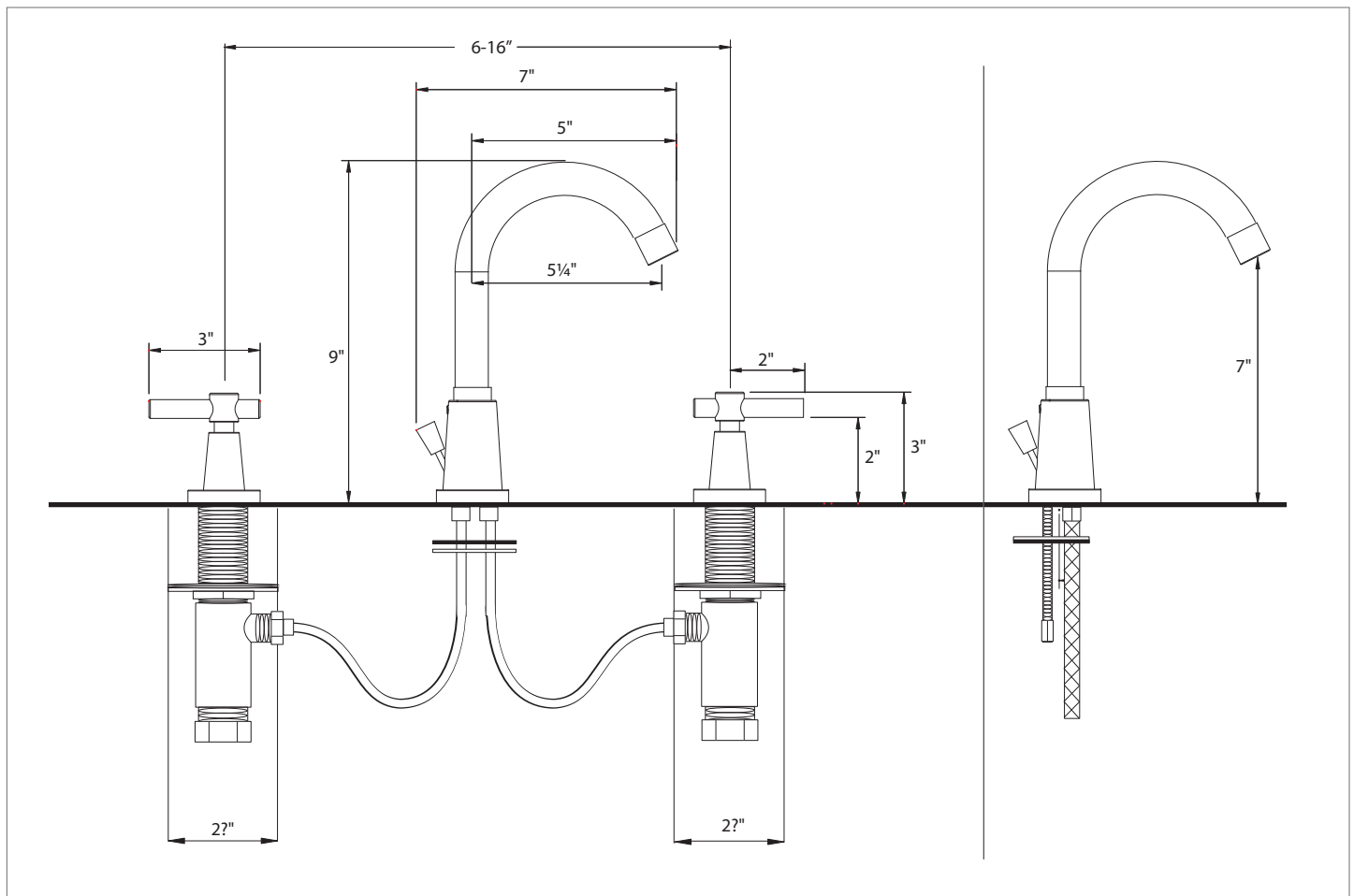
- Stainless steel braided hot and cold hoses
- Replacement parts available
- Toll-free helpline: 888-560-5222
- Water-saving aerator: 2.2 gallons (8.3L) per minute max @ 60 psi (4kg/sq. com)

Installation Notes

- Mounts in three holes, 1-3/8" to 1-3/4" diameter
- Flex hoses allow handles to be placed 6-16" apart
- Maximum counter thickness - 1-1/2"
- 1/2" Supply Connections
- Pop-up drain is for use with basins having an overflow

Warranty

Limited lifetime function and finish warranty to the original consumer purchaser covering defects in material and workmanship. 5 Year limited warranty for all industrial and commercial applications. See complete warranty statement for details



Giagni reserves the right to make specification and pricing changes without notice or obligation, and to change or discontinue models and finishes. All rights reserved. © Giagni 2010