

Contemporary Vessel Faucet with Grid Drain

Model I101

Features

- Single Control, Lever Handle
- Solid brass construction
- Ceramic Disc Cartridge
- 1/2" Male IPS connections
- PVD Anti-Tarnish Finish (BN)
- Lifetime limited warranty
- Matching Grid Drain Included

Codes/Standards

Specified model meets or exceeds:

- ASME/ANSI A112.18.1M
- CSA B125
- ADA compliance to ANSI A117.1
- NSF 61
- IAPMO/UPC listed
- AB1953
- WaterSense



Specified Models:

Model No.	Product Description
I101	City Loft Vessel Faucet with Grid Drain

Finish Codes:

*Series Finish Codes

(Add to base model number, Example: I101-BN)

Polished Chrome	PC
#Brushed Nickel	BN

= PVD Finish

Giagni reserves the right to make specification and pricing changes without notice or obligation, and to change or discontinue models and finishes.

Giagni

1 of 2

548 South Columbus Avenue • Mount Vernon, New York 10550 • 1-888-560-5222 • www.giagni.com

I101 (03/18/09) All rights reserved. © Giagni 2009

Contemporary Vessel Faucet with Grid Drain

Model I101

Technical Information

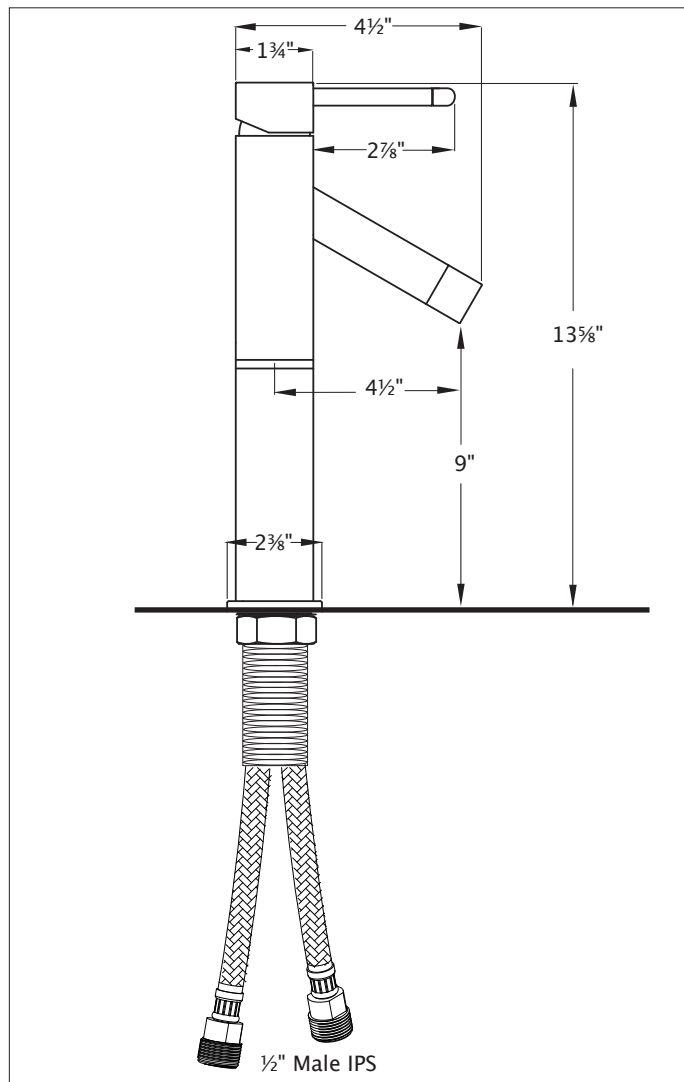
- Stainless steel braided supply hoses
- Replacement parts available
- Toll-free helpline: 888-560-5222
- Water-saving aerator: 1.5 gallons (5.7L) per minute max @ 60 psi (4Kg/sq. cm)
- Spout does not swing

Warranty

Limited lifetime function and finish warranty to the original consumer purchaser covering defects in material and workmanship. 5 Year limited warranty for all industrial and commercial applications. See complete warranty statement for details

Installation Notes

- Requires 1- $\frac{3}{8}$ " min. to 1- $\frac{3}{4}$ " max. hole diameter
- Maximum counter thickness: 1- $\frac{7}{8}$ "
- Grid Drain is for use with vessels without overflows



Giagni reserves the right to make specification and pricing changes without notice or obligation, and to change or discontinue models and finishes.