

Features

- Ceramic Disc Cartridge
- Lever Style Handle
- 1/2" Male IPS Connections
- Max Flow Rate: 2.2 GPM @ 60 PSI
- Optional Deck Plate Included
- Soap dispenser included

Codes/Standards

Specified model meets or exceeds:

- ASME A112.18.1/CSA B125.1
- NSF 61 Section 9
- IAPMO/UPC listed
- AB1953 low lead
- ADA compliance to ANSI A117.1

Installation Notes

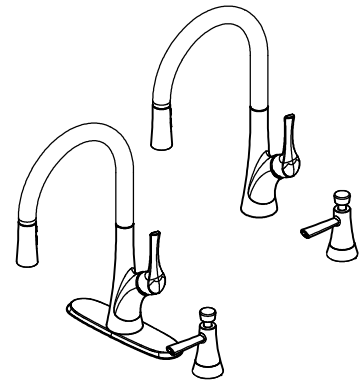
- Requires 1 1/4" min to 1 3/4" max hole diameter
- Maximum counter thickness: 3 3/16" (without escutcheon or soap dispenser) or 2 5/8" (with soap dispenser)
- Installs in 1, 2, 3 or 4 hole sinks

Warranty

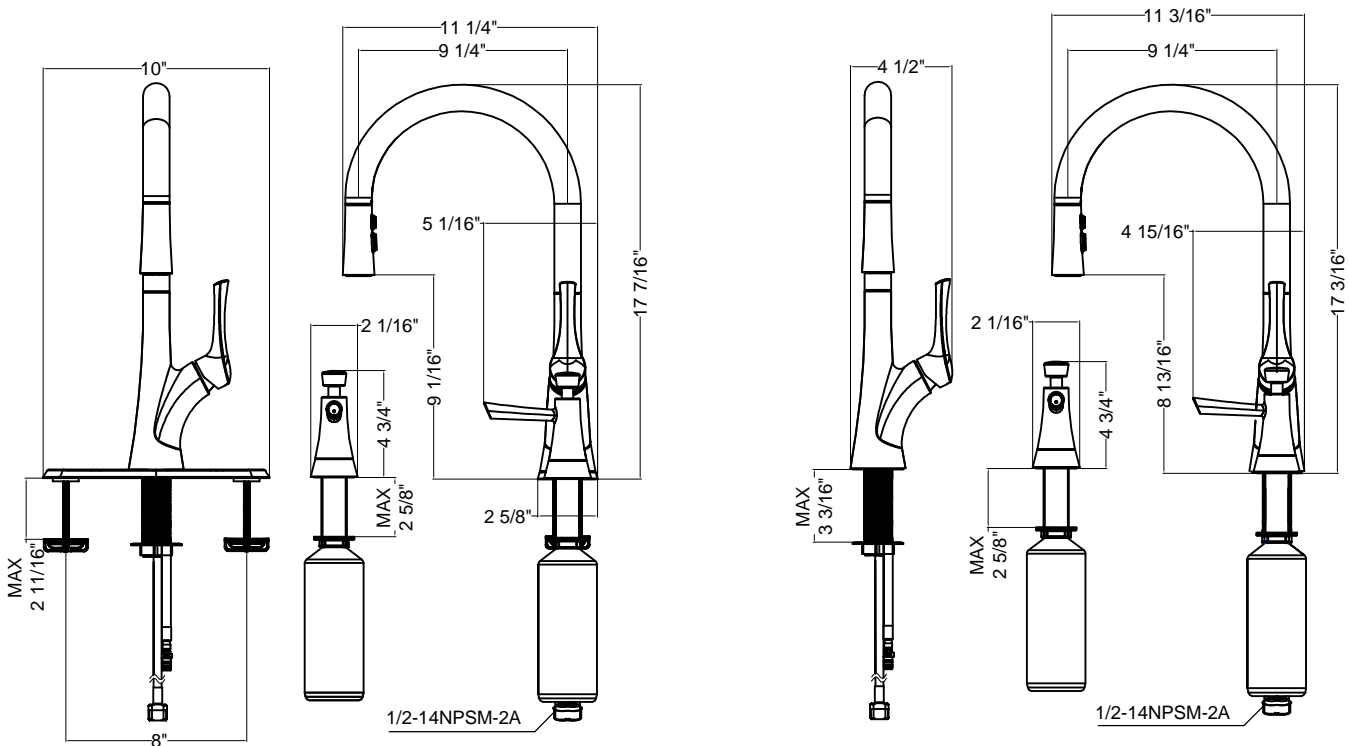
Limited Lifetime Warranty. See complete warranty statement for details.

Kitchen Faucet

Model PD171



MODEL	FINISH
PD171-PC	Polished Chrome
PD171-SS	Stainless Steel PVD



With Escutcheon

Without Escutcheon